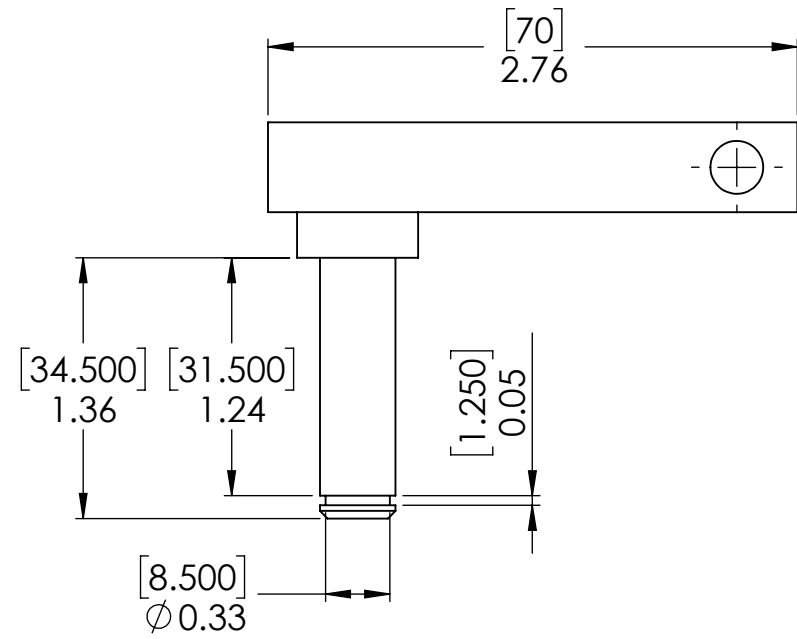
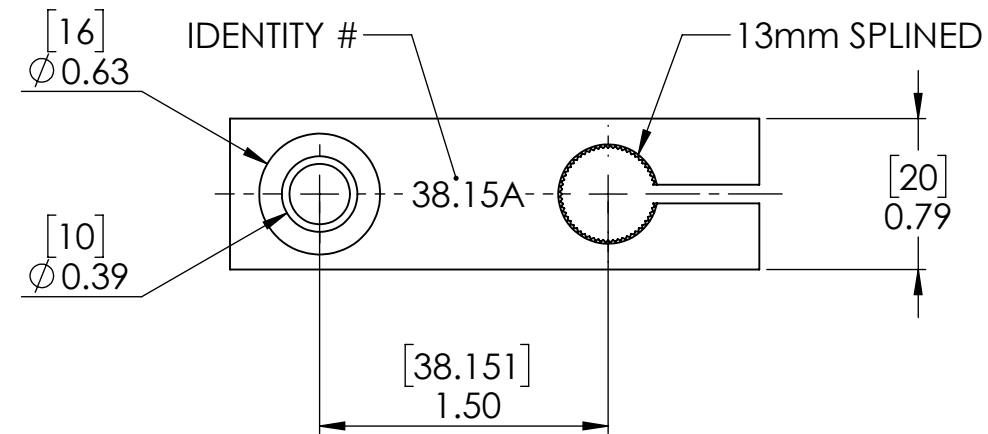
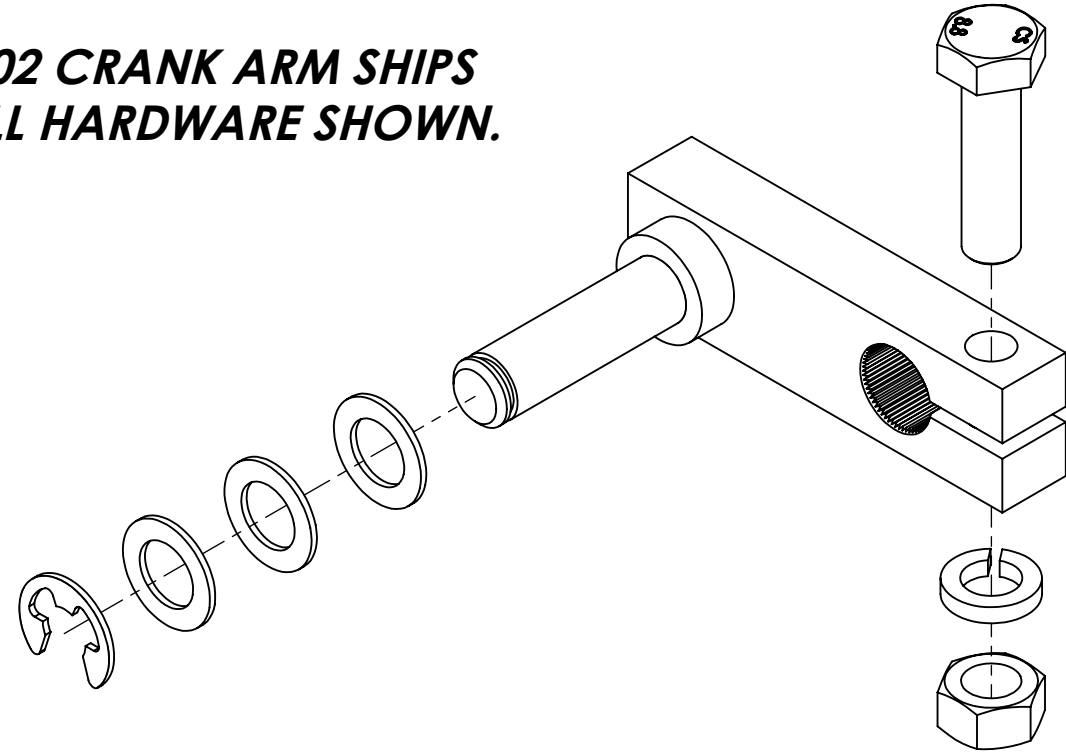


MC1502 CRANK ARM



**MC1502 CRANK ARM SHIPS
WITH ALL HARDWARE SHOWN.**



WIPER TECHNOLOGIES
BY: GLOBAL PRODUCTS LLC.

