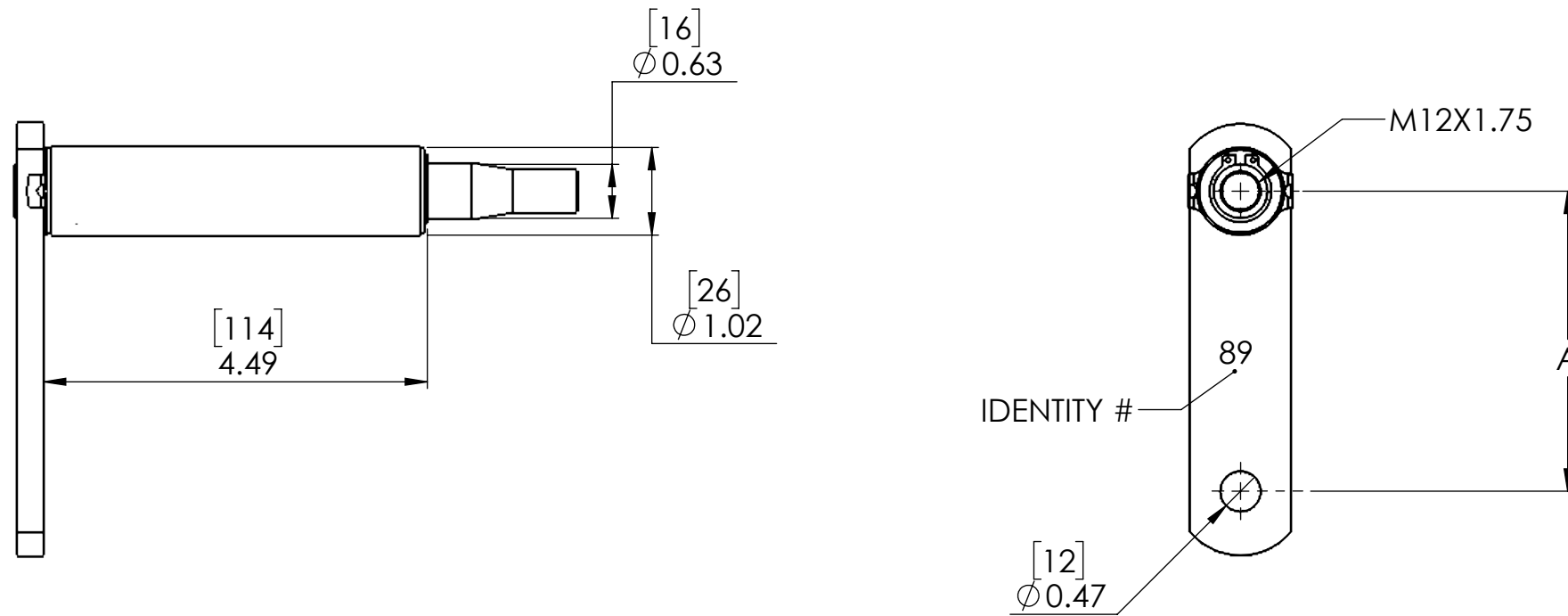


# 79 SERIES PIVOT SHAFTS

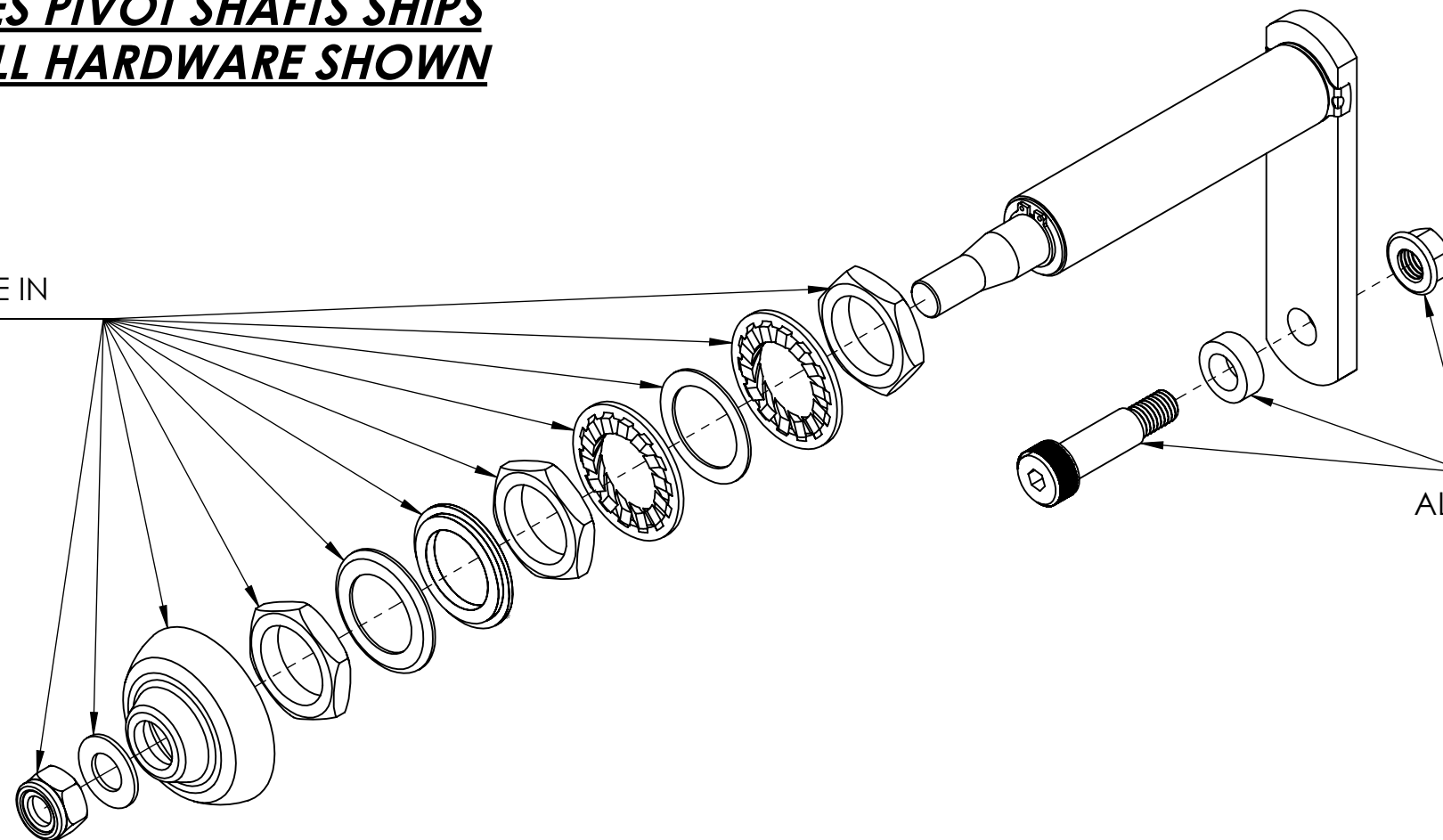
PART #	DIMENSION "A"
PA7971-U	71mm
PA7975-U	75mm
PA7985-U	85mm
PA7989-U	89mm
PA7993-U	93mm
PA7997-U	97MM

PARTS PA79XX-U SUPERSEDES PART # PA79XX & PA79XX-R



**79 SERIES PIVOT SHAFTS SHIPS WITH ALL HARDWARE SHOWN**

HARDWARE AVAILABLE IN KIT #PA79-HDW



**WIPER TECHNOLOGIES**  
BY:GLOBAL PRODUCTS LLC.

