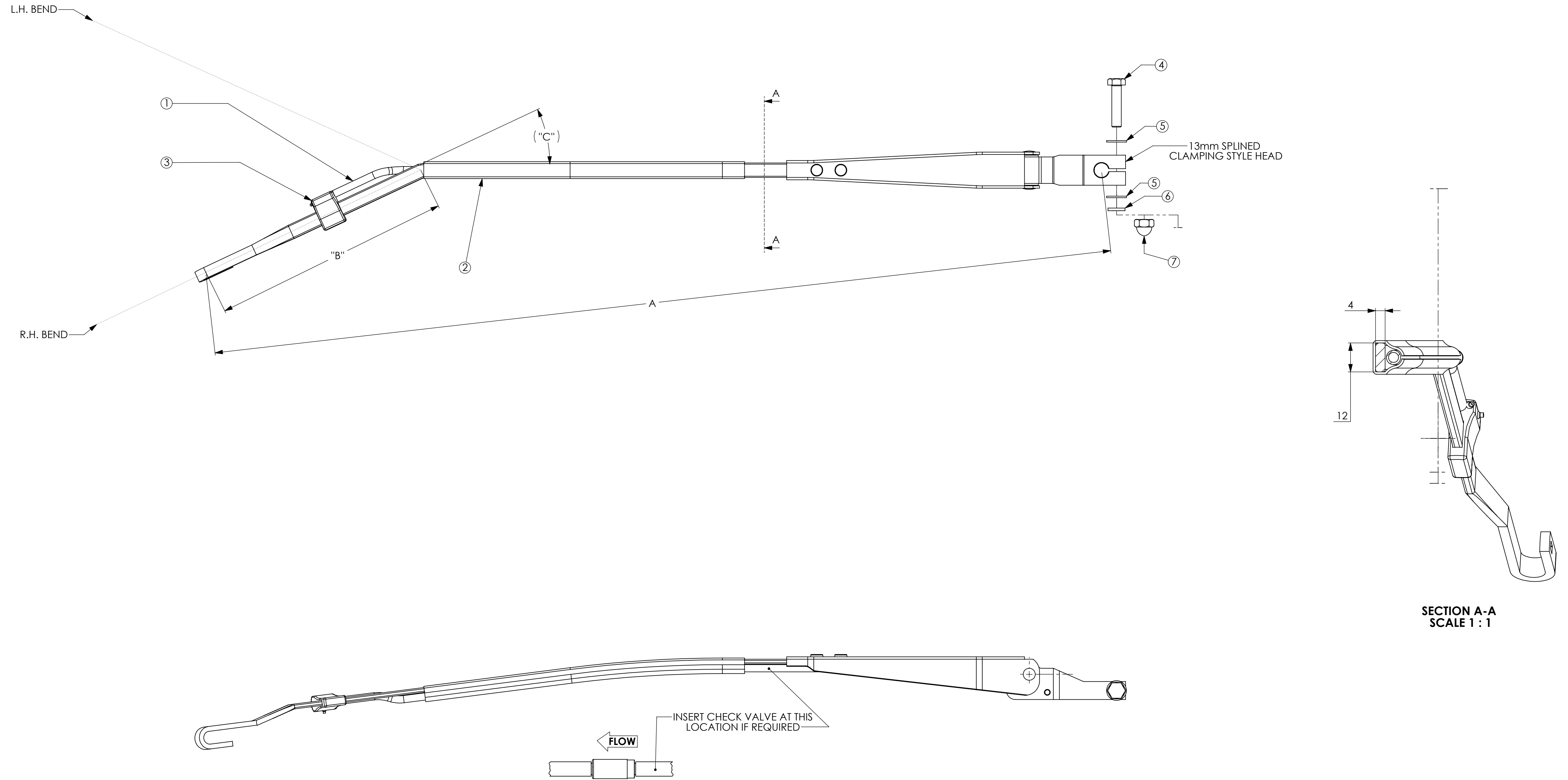


ITEM NO.	PART NUMBER	Description	QTY.
1	TV77-216	TUBING	1
2	12-4TC	TUBING CHANNEL	1
3	MDRSN	SPRAY NOZZLE	1
4	516x24UNFx1.375	5/16" x 24 UNF x 1.5"	1
5	516FW-SS	5/16" STAINLESS STEEL LOCK WASHER	2
6	516LW-SS	5/16" STAINLESS STEEL LOCK WASHER	1
7	AN516x24UNF	5/16"x 24UNF ACORN NUT	1

Wiper Arm Is Equipped With All Accessories Shown.
Accessories Available Separately.

M.D. WIPER ARMS/9x4 HOOK/CLAMPING STYLE HEAD



SECTION A-A
SCALE 1 : 1

PART #	DIM "A" INCHES	DIM "A" MM	DIM "B" INCHES	DIM "B" MM	DIM "C" DEGREES	BEND	CHECK VALVE REQUIRED
RAC800BB-25RH	31.49"	800	7.87"	200	25°	R.H.	YES
RAC750BB-25RH	29.53"	750	7.87"	200	25°	R.H.	NO
RAC750BB-25LH	29.53"	750	7.87"	200	25°	L.H.	NO
RAC750BB-20RH	29.53"	750	7.87"	200	20°	R.H.	NO
RAC700BB-25RH	27.56"	700	7.87"	200	25°	R.H.	NO
RAC650BB-25RH	25.59"	650	7.87"	200	25°	R.H.	NO
RAC550BB-20RH	21.65"	550	7.87"	200	20°	R.H.	NO
RAC550BB-20LH	21.65"	550	7.87"	200	20°	L.H.	NO

