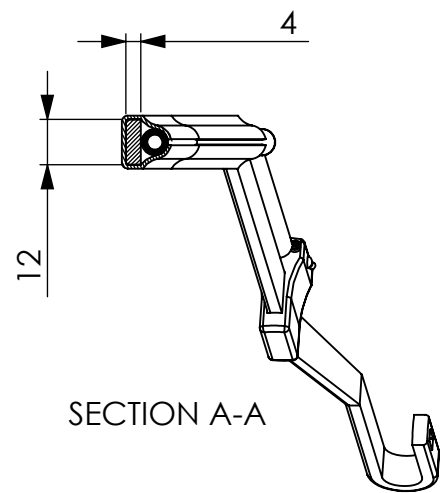
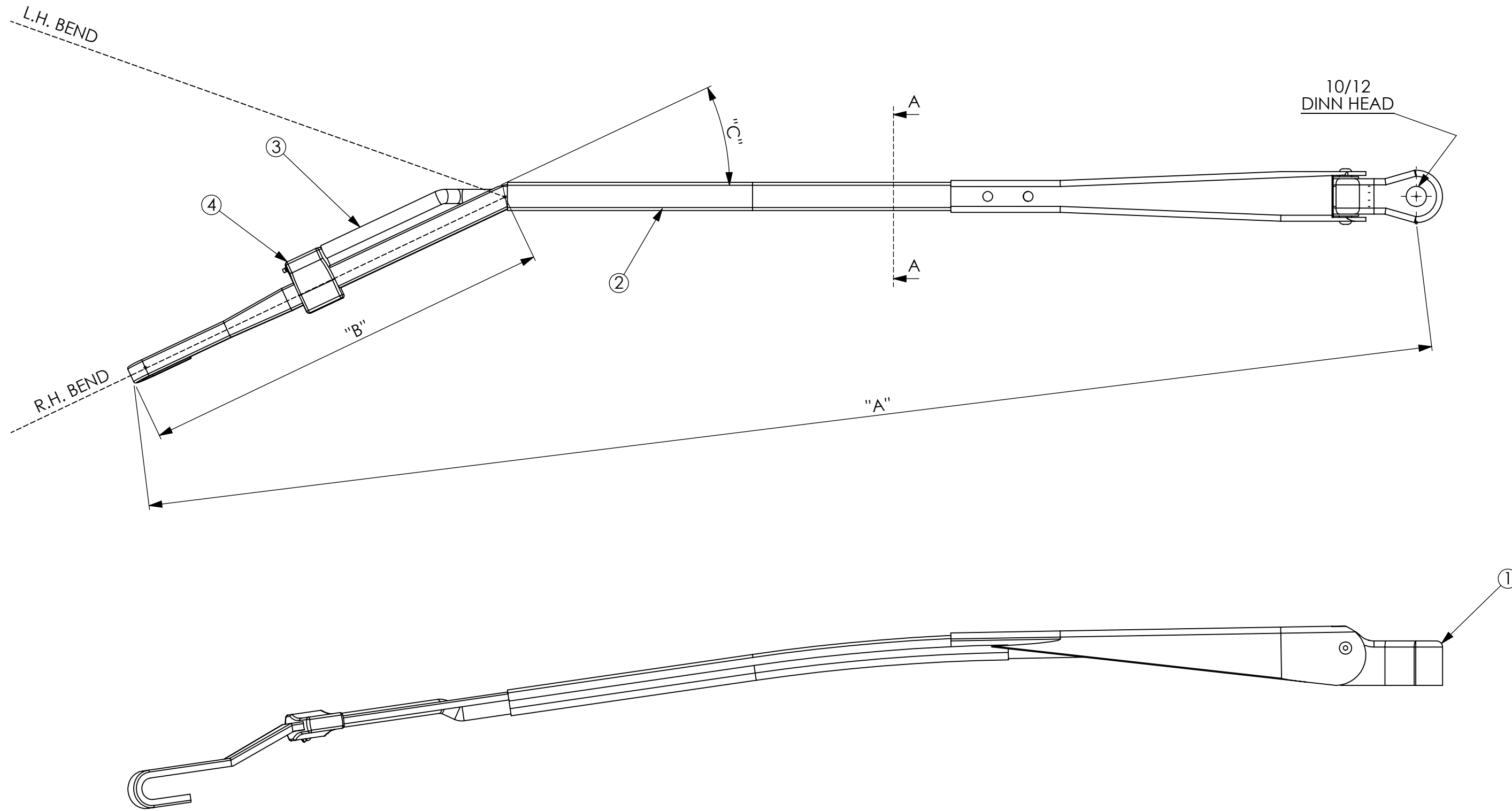


| ITEM # | PART # | DESCRIPTION | QTY. |
|----------------|---------------------|----------------|------|
| 1 | RAC1002 | HEAD COVER | 1 |
| 2 | 12-4TC | TUBING CHANNEL | 1 |
| 3 | TV77-216 | WASHER TUBING | 3' |
| 4 | MDRSN (R.H. BEND) | SPRAY NOZZLE | 1 |
| 4a (NOT SHOWN) | MDRSN-L (L.H. BEND) | SPRAY NOZZLE | 1 |

M.D. WIPER ARMS/9x4 HOOK/10x12 DINN HEAD

Wiper Arm Is Equipped With All Accessories Shown.
Accessories Available Separately.



| PART # | DIM "A" INCHES | DIM "A" MM | DIM "B" INCHES | DIM "B" MM | DIM "C" DEGREES | BEND | Hook |
|--------------|----------------|------------|----------------|------------|-----------------|------|------|
| RA750BB-25RH | 30.51" | 775 | 7.87" | 200 | 25 | R.H. | 9x4 |
| RA750BB-25LH | 30.51" | 775 | 7.87" | 200 | 25 | L.H. | 9x4 |
| RA750BB-20RH | 30.51" | 775 | 7.87" | 200 | 20 | R.H. | 9x4 |
| RA650BB-25RH | 25.59" | 650 | 7.87" | 200 | 25 | R.H. | 9x4 |
| RA550BB-20RH | 21.65" | 550 | 7.87" | 200 | 20 | R.H. | 9x4 |
| RA550BB-30RH | 21.65" | 550 | 7.87" | 200 | 30 | R.H. | 9x4 |

WIPER TECHNOLOGIES
 BY:GLOBAL PRODUCTS LLC.

