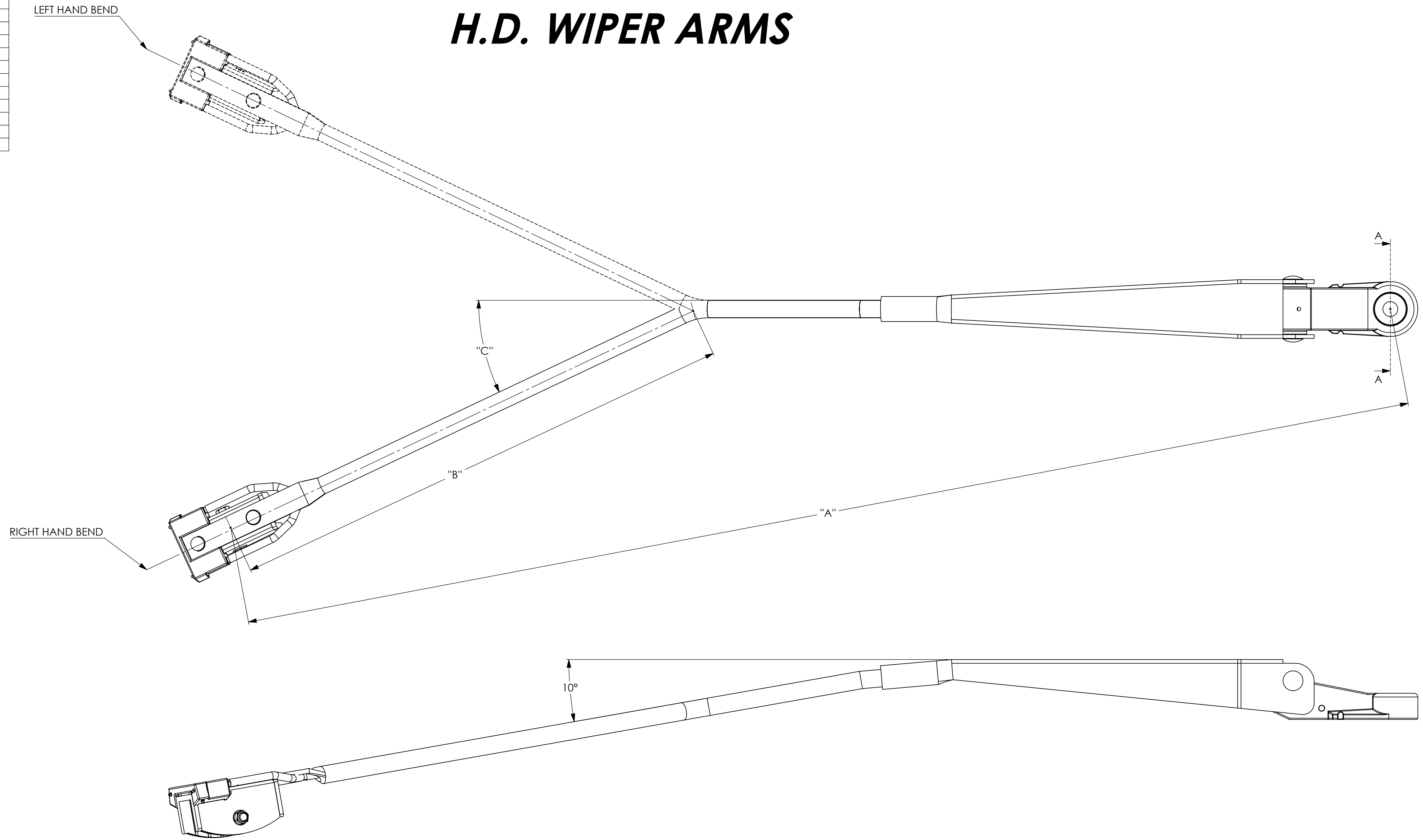


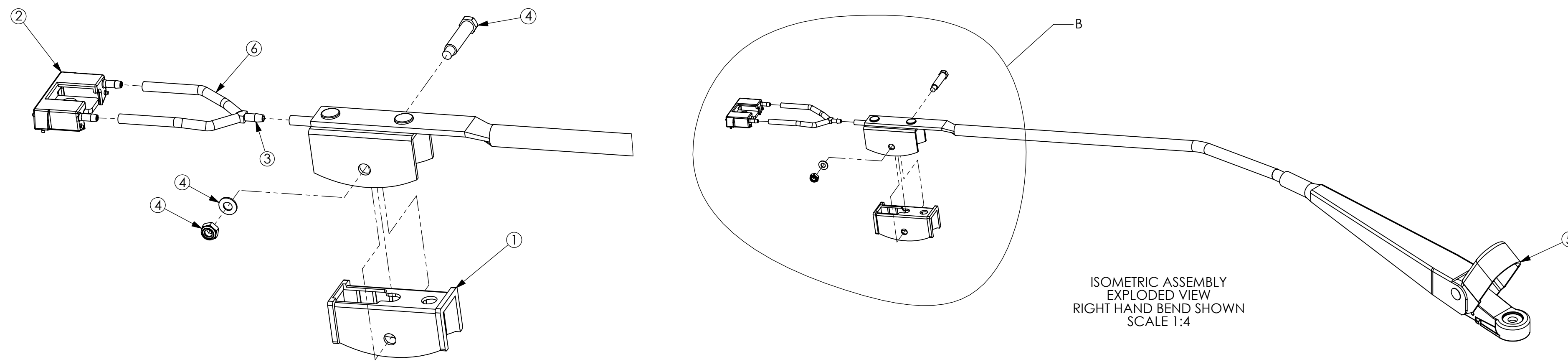
PART #	BEND	DIM. "A" MM/IN.	DIM. "B" MM/IN.	DIM. "C" MM/IN.	SADDLE WIDTH MM/IN.
RA950OP-D25-S	RIGHT	950/37.40"	425/16.73"	25°	21/.83"
RA950OP-P15-S	LEFT	950/37.40"	425/16.73"	15°	21/.83"
RA825OP-D25-S	RIGHT	825/32.48"	334/13.15"	25°	21/.83"
RA825OP-D30-S	RIGHT	825/32.48"	334/13.15"	30°	21/.83"
RA825OP-P15-S	LEFT	825/32.48"	334/13.15"	15°	21/.83"
RA825OP-P20-S	LEFT	825/32.48"	334/13.15"	20°	21/.83"
RA750OP-D15-S	RIGHT	750/29.53"	200/7.87"	15°	21/.83"
RA750OP-D20-S	RIGHT	750/29.53"	200/7.87"	20°	21/.83"
RA750OP-D30-S	RIGHT	750/29.53"	320/13.15"	30°	21/.83"
RA750OP-P20-S	LEFT	750/29.53"	320/13.15"	20°	21/.83"
RA725OP-D30-S	RIGHT	725/25.54"	235/9.25"	30°	21/.83"

***Wiper Arm Is Equipped With All Accessories Shown.
Accessories Available Separately.***

H.D. WIPER ARMS



ITEM NO.	PART NUMBER	DESCRIPTION	QTY.
1	DTRAS	H.D. WIPER ARM SHIM	1
2	SN1003	SINGLE TUBE DUEL SPRAY NOZZLE	1
3	STYC	TUBING "Y"	1
4	BAFH	BLADE FASTENING HARDWARE	1
5	HC1001	RADIAL ARM HEAD COVER	1
6	TV77-216	WASHER TUBING	3



DETAIL B